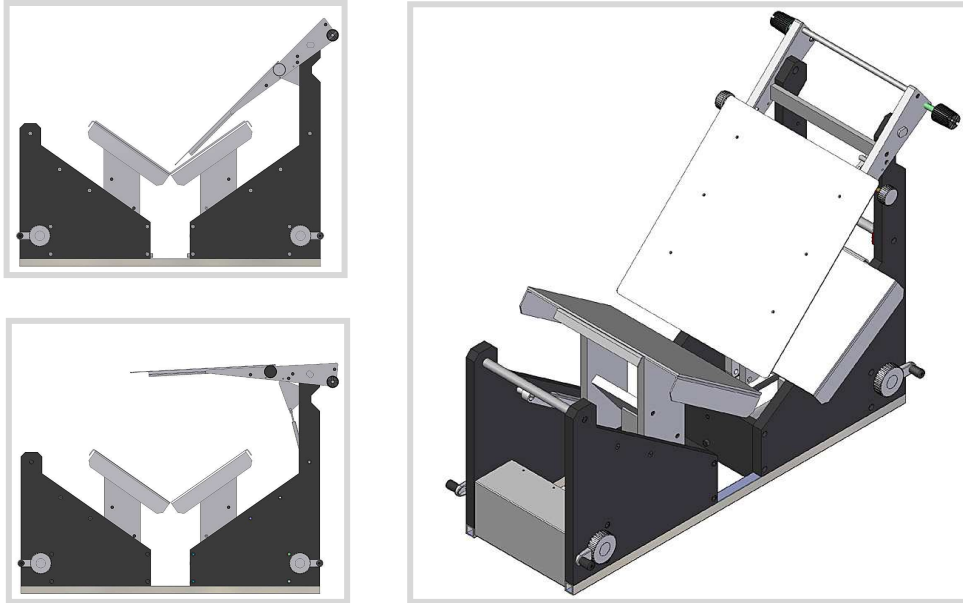


Anagramm® CamCradle

This new and extensively field tested book holder was developed from the demanding experiences of the digitalisation from the "Parker Collection" of the Cambridge University. They are used in reproduction of highly sensitive and valuable books and manuscripts for high end quality.



The concept of the Anagramm® CamCradle is the digitalisation without touching the surfaces with glass. The positioning and turn over happens with a maximum of protection for the book. The key benefits are:

- CamCradle is characterized by simple handling without the need for extensive operation training.
- The unique and robust construction allow for ease of transport and therefore opens new avenues for location digitalisation projects.
- Unrestricted access to the book allows the uncomplicated manual turning of the separate pages.
- Sensitive surfaces are not covered with a glass plate.
- The book is always kept in a variable angled position, the cover and spine of a book would therefore always be gently treated and not stretched.
- Easy setting of the originals and easy adjustments save valuable time.
- The camera is set up only once for one production run and the focus of the object level remains constant for all scans, therefore giving the highest efficiency and secures smooth processing.
- The fast and easy way of working makes sure, that the original are exposed for only minimal for possible environment pollution (UV-/IR-radiance, temperature influence).

For illumination we recommend fluorescent flood lights (2 x 80, 5 x 80 w) especially to display gold ornaments. When used in conjunction with an Anagramm production² scanback a throughput of more than 250 pages per day at best possible quality (in 600 dpi) is achievable.

The delivery of the Anagramm® CamCradle starts end of 4. quartar 2008.



A N A G R A M M

Anagramm
Gesellschaft für elektronische
Systeme mbH
Rupert-Mayer-Strasse 45/1
Linhof Werksgelände
D-81379 München
Germany

Tel. ++49 89/74 15 18-0
Fax. ++49 89/74 15 18-19

info@anagramm.de
www.anagramm.de

VAT Nr. DE 153745983
Registergericht und
Gerichtsstand : München
HRB-Eintrag 100 532

Geschäftsführer:
Martin Langfeld