

COPY EQUIPMENT

COPY STANDS

TECHNOPRO I, Heavy-duty copy stand, basebord size 65x70 cm / 25x27 in., column height 145 cm / 57 in. with two hand wheels for smooth and convenient elevation control. 003013

TECHNOPRO II, Heavy-duty copy stand, basebord size 90x80 cm / 35x31 in., column height 180 cm / 71 in. with two hand wheels for smooth and convenient elevation control. 003015

TECHNOPRO III, Heavy-duty motorized copy column, basebord size 80x90/ 35x31 in., height 182 cm / 71 in. 003012
Steel Table for Technopro I, II and III 003018
Halogen Copy Light Set 003011
Halogen Lamp 220 V / 150 W, G 635 023050

BOOK COPYING EASEL 34x50 cm / 14x20 in. 003090
Metal Loading Plate 32x48 cm / 12.5x19 in. for 003090 003235

TECHNOPRO I

Solid repro column as desk device or with special steel table. For medium format or large format cameras with film or digital back.

LINHOF DIGI REPRO

LINHOF DIGI REPRO 003460

Repro desk with enlargeable 3,00 m floor guide rail, all-purpose column tripod Linhof Studio Stand II, 80 / 150 cm, flat top plate 90 mm - 3/8", including outrigger arm and accessory tray. Height adjustable object fixing equipment for objects up to 250x155 cm (LxH) and additional magnetic board (100x150 cm).

ACCESSORIES

Floor guide extension rail for Digi Repro 3,00 m 003461

CAMERA

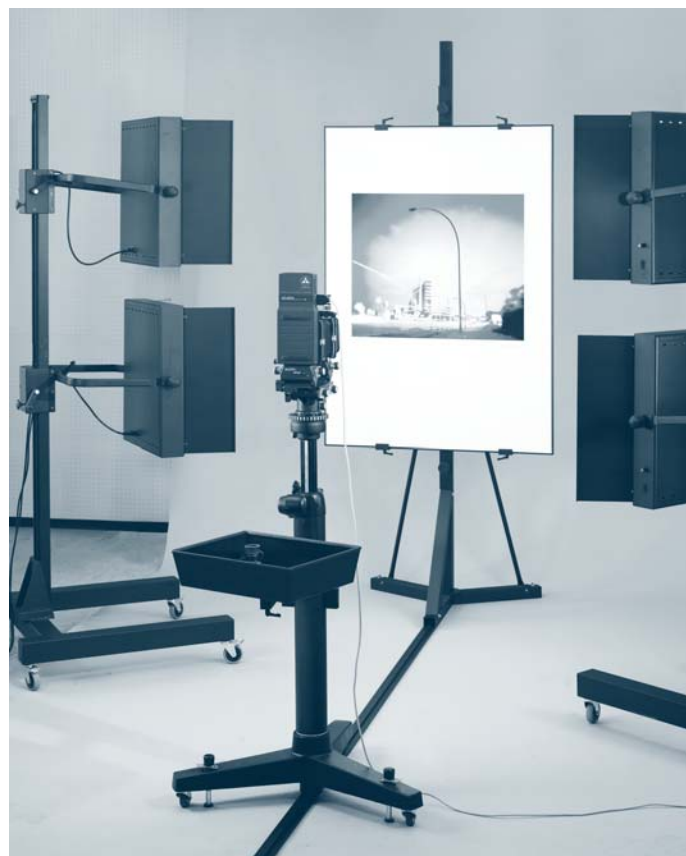
Recommended device: Linhof M 679cs (see page 3) as well as 4x5 / 9x12 cameras with international universal back (type Graflok).

DIGITAL RECORDING SYSTEM

Ideal in combination with digital backs: all marketable chipbacks and high-end scanbacks can be connected to the Linhof M 679 and to 4x5 / 9x12 precision cameras. For detailed information please contact Mr. Kreuzbruck at ANAGRAMM our digital partner. Tel.: + 49/ 89 / 74 15 18 18.

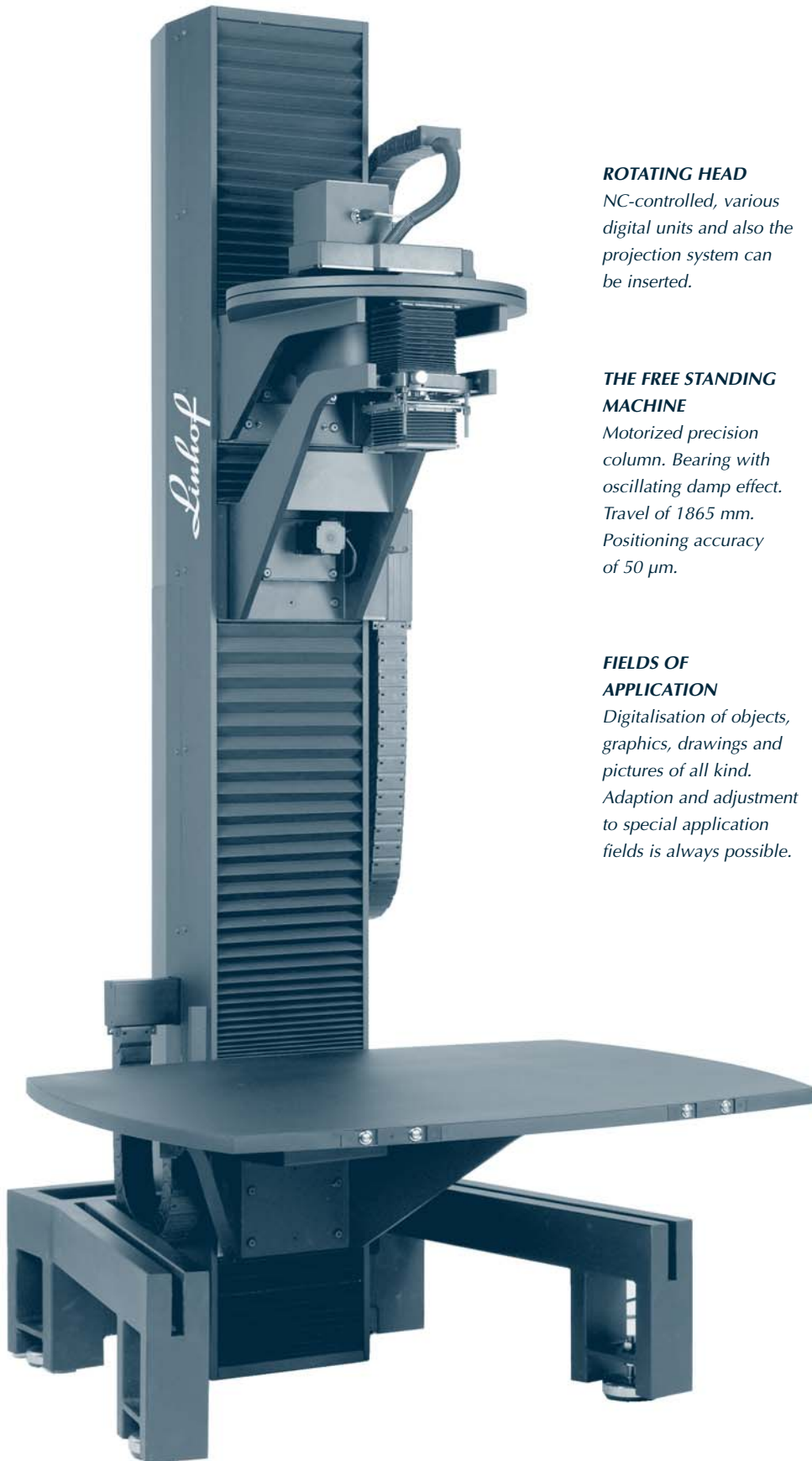
ILLUMINATION

The opposite picture shows a reproduction arrangement with four flicker suppressed (areal) daylight fluorescent lamps each 6x55 watts on height adjustable tripods. Further illumination systems on request.



LINHOF DIGI REPRO

Integrated solution for digital image recording and reproduction with guide rail including all-purpose column tripod and object fixing equipment. (Camera, digital back and illumination are not included in the price.)



ROTATING HEAD

NC-controlled, various digital units and also the projection system can be inserted.

THE FREE STANDING MACHINE

Motorized precision column. Bearing with oscillating damp effect. Travel of 1865 mm. Positioning accuracy of 50 µm.

FIELDS OF APPLICATION

Digitalisation of objects, graphics, drawings and pictures of all kind. Adaption and adjustment to special application fields is always possible.

LINHOF MASTER DIGI REPRO SYSTEM

003462

price upon request

NEW:

Automized repro-workstation for digitalizing or reproduction of objects and transparent objects.

THE FREE STANDING MACHINE

Motorized precision column. Bearing with oscillating damp effect. Travel of 1865 mm. Positioning accuracy of 50 µm. Motorized height adjustable repro-desk and NC- controlled camera platform designed as rotating head permitting the use of different techniques such as high-resolution scan-backs, chipbacks or rollfilm cassettes. The integrated projection system serves for control of sharpness and image section.

THE DIGITAL SYSTEM

We recommend Anagramm picture gate 8000 production² which is a high resolution scan-back 8000 x 9700 pixels, 16 bit color depth and a short scanning time of 21 seconds only with 444 MB data volume.

If required according to demand and handling there are digital backs available featuring even better resolutions. The control of the motorized operation of the Linhof Master Digi Repro is integrated in the Anagramm scan software. This means that positions once elaborated can be filed for repeating tasks. For more information please call Mr. Kreuzbruck of Messrs. Anagramm, phone +49 (0)89 -74 15 18 18.

ILLUMINATION

Two dimmable fluorescent lamp boxes, flicker suppressed, 12 x 55 Watt, 5.500 Kelvin. Motorized height adjustment.

NEW:

LED REPRO LIGHTBOX

Translucent box for objects up to 30 x 40 cm. Newly designed covering demands by conservatoriums for digitalizing of original glass negative plates. Innovative LED-technique protecting precious glass negatives against damage by heating. A special holder permits the touch-free scanning of different formats. A color temperature of 5.500 Kelvin ensures color neutral reproduction.

003006

LED Repro lightbox 100

003007

LED Repro lightbox 200

price upon request

ADDITIONAL ACCESSORY

An extremely flat and light suction plate based on an electro-static process is available for paper size up to DIN A0 / 118,9x84,1 cm.



LED REPRO LIGHTBOX

with holder for touch-free scanning of glass negatives according to requirements by conservatoriums.